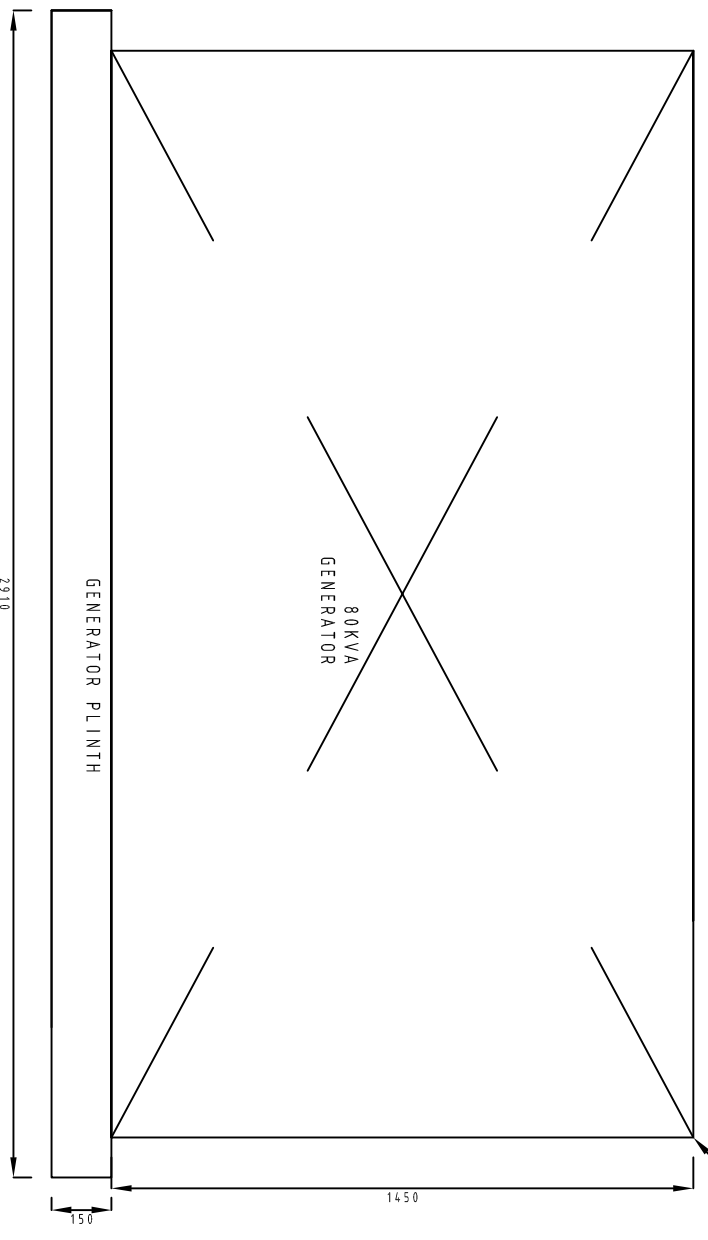
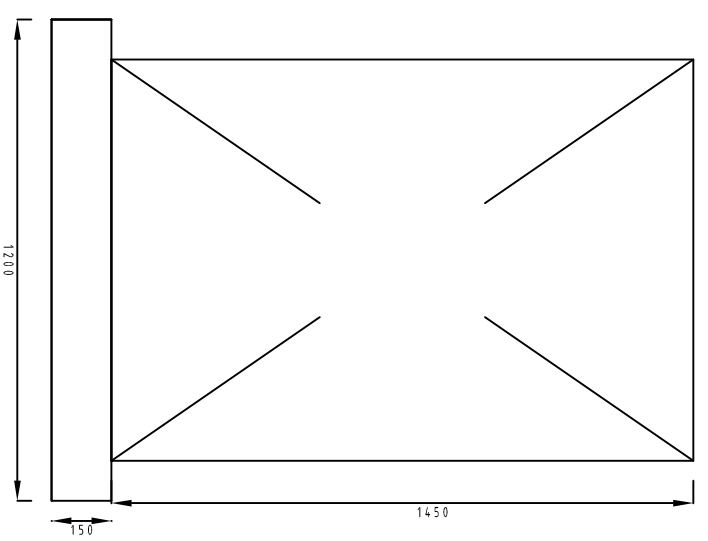


2710

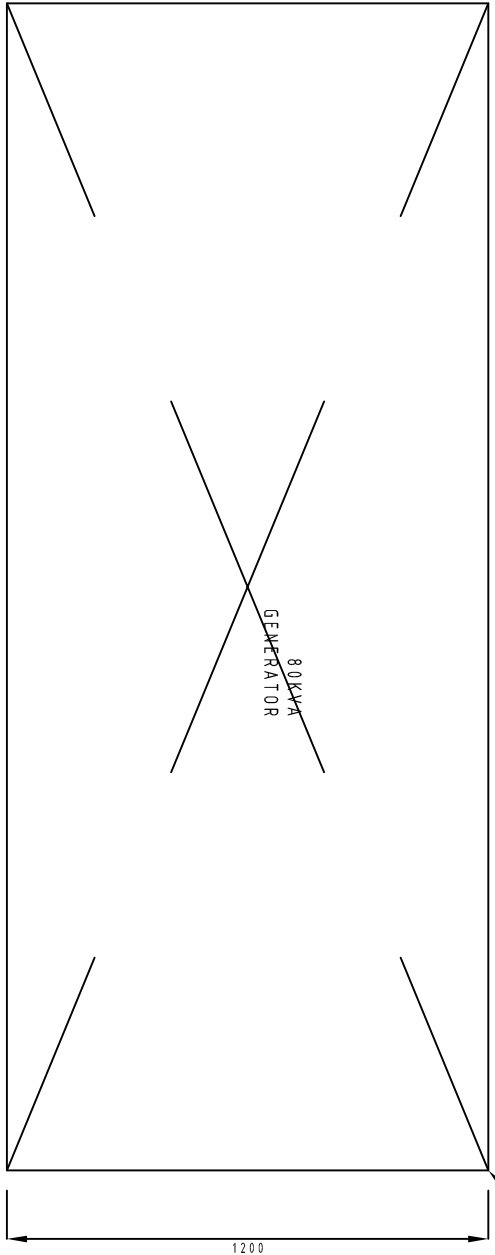


GENERATOR ON PLINTH

1000



2910



GENERATOR PLINTH

1200

Note

The concrete plinth needs to be a minimum 30MPa concrete either vibrated or with 193 mesh, 50mm from the top.
 The generator should be situated 800mm away from walls at all sides for ventilation & service purposes.

ELECTRICAL NOTES:

Rev	Description	Date
1	GENERATOR PLINTH	

PROJECT TITLE:

DRAWING Title:

GEN-TEK

POWERED GENERATOR SOLUTIONS

Gen Motion Ltd Trading as GEN TEK
 101 Derby Rd Judiths Paarl JHB 2000
 Tel +27 11 627 7550 Fax +2711 614 5641
 Website www.gen-tek.co.za E-mail sales@gen-tek.co.za

THIS IS AN AUTOCAD GENERATED DRAWING

80KVA GENERATOR
 PLINTH DETAIL

DRAWING No.
E 100

REVISION:
1

DATE:
 SCALE:
 DESIGNED:
 DRAWN:
 CHECKED: